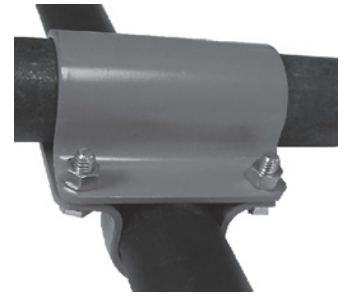


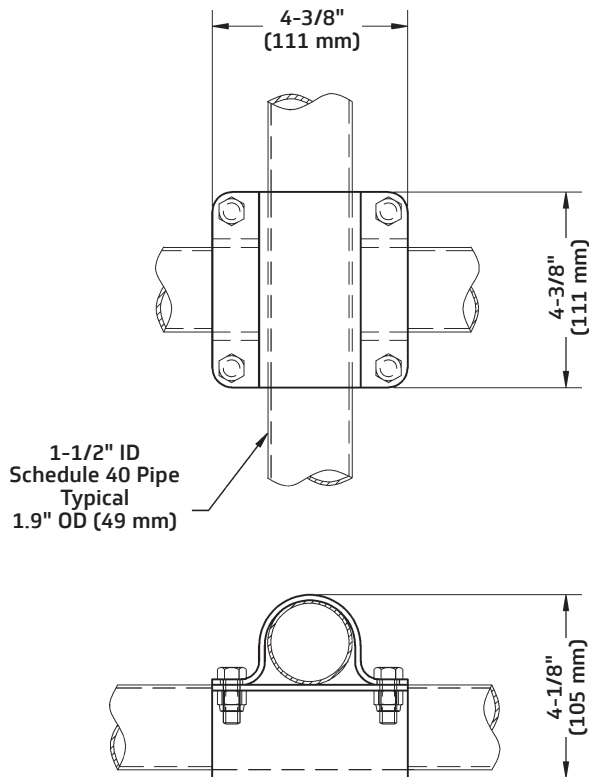
Cross Grid Connector

- Provides rigid, low-profile connections for assembling pipe grids of 1-1/2" Schedule 40 pipe
- Black, powder-coated 1/8" (3 mm) steel plates are supplied with 3/8" Grade 5 bolts and nuts
- Pipes can be added or removed in place, without sliding them in from the ends
- Half of the assembly can also be used to secure a 1-1/2" Schedule 40 pipe to any flat surface
- Three-year warranty against defects in materials or workmanship is provided on all J.R. Clancy equipment, additional warranty information is available at jrclancy.com



**Cross Grid Connector
015-100**

Dimensions



Order Information

Number	Description	RWL	Weight
015-100	Cross Grid Connector	1500 lb (680 kg)	2 lb (0.9 kg)

RWL: RWL is maximum load that can be applied to the cross grid connector which is in "like new" condition and has been properly installed, maintained, and operated.

